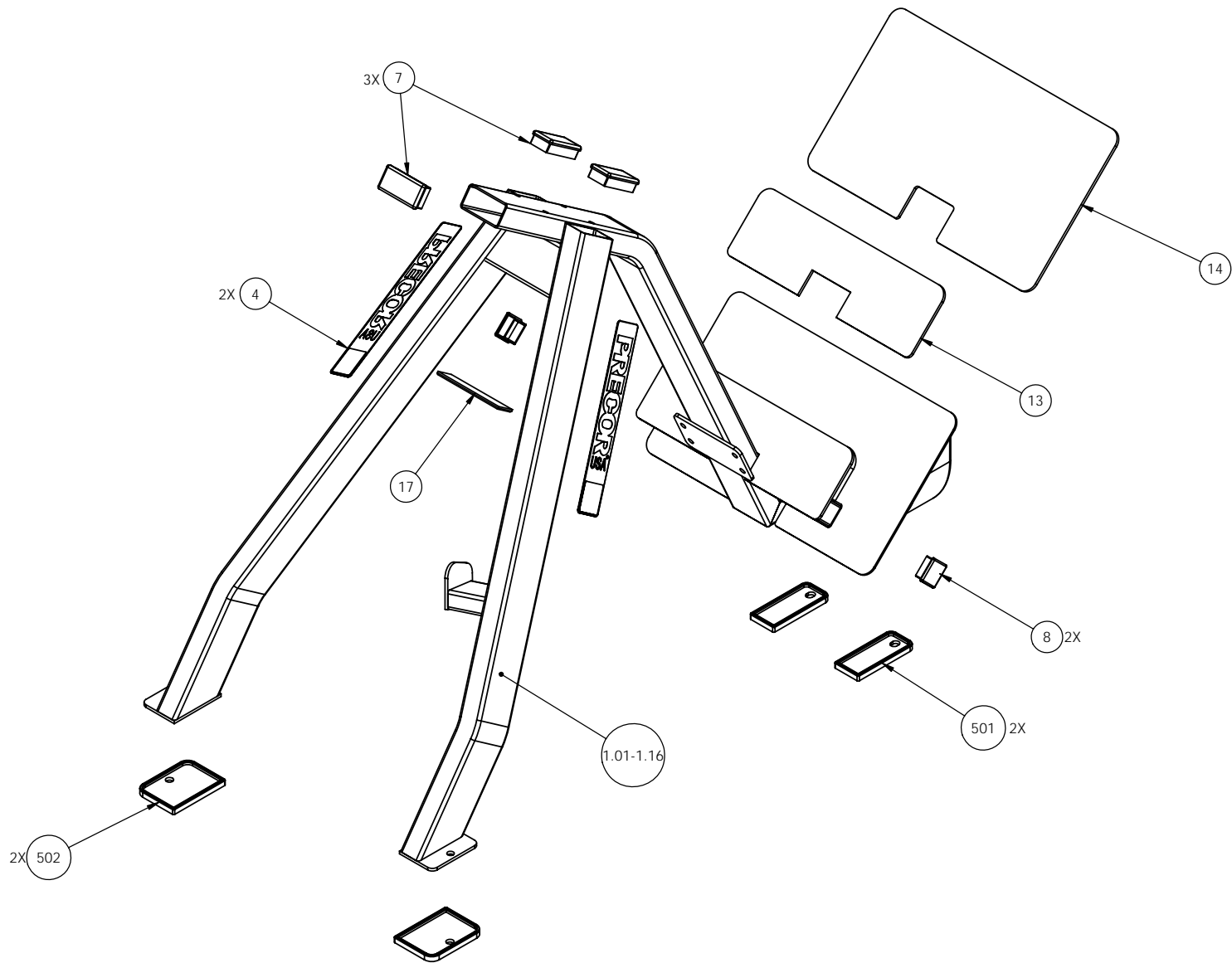
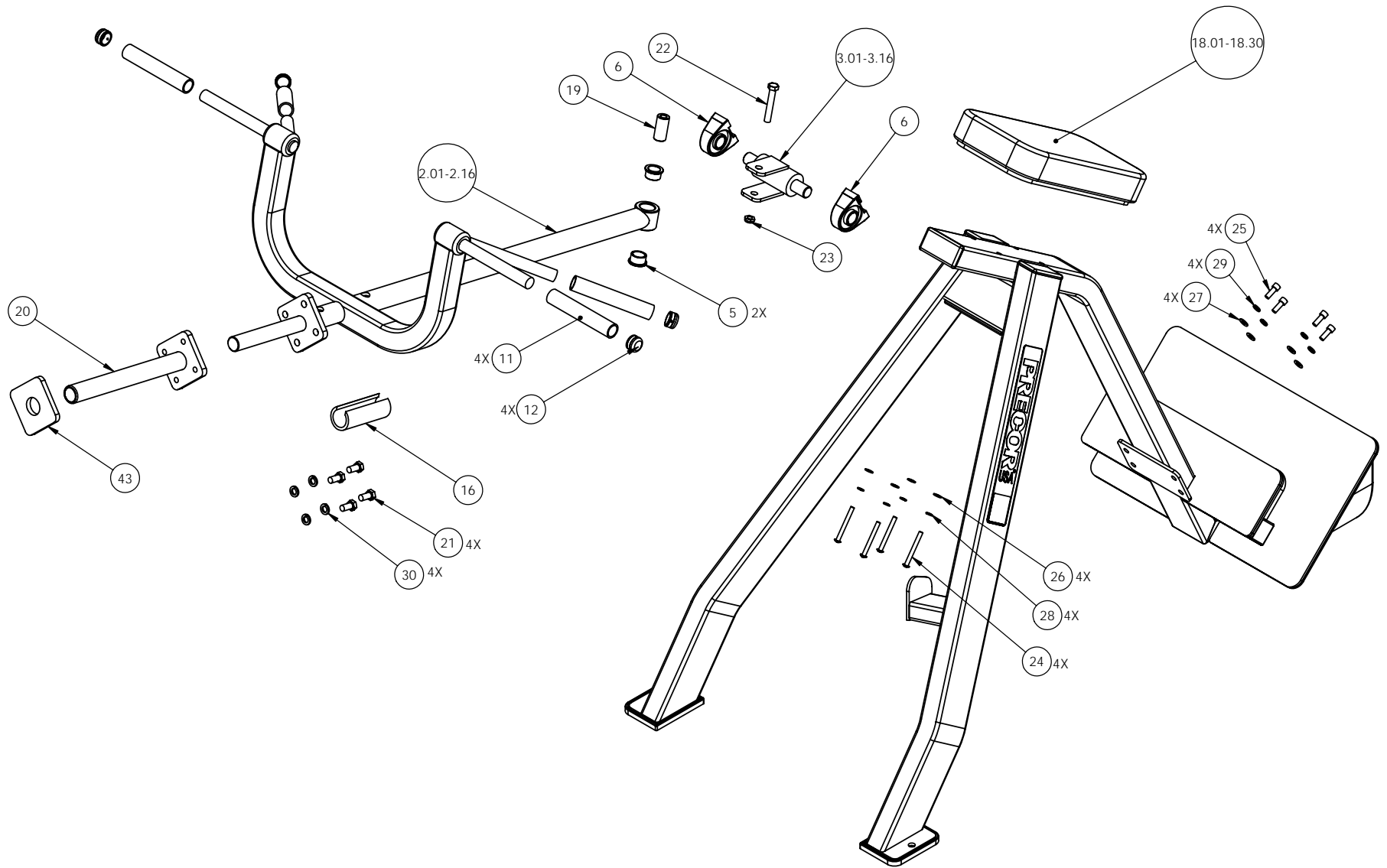


311	P/N : CW30963-101	SUBREV : B
DRAWN BY : CT	DATE : 10.19.05	SHEET 1 OF 3



311	P/N : CW30963-101	SUBREV : B
DRAWN BY : CT	DATE : 10.19.05	SHEET 2 OF 3



311	P/N : CW30963-101	SUBREV : B
DRAWN BY : CT	DATE : 10.19.05	SHEET 3 OF 3

311 Incline Lever Row

Part Number	Description	Bubble Number
CW311SA1-211	ASSY,FRAME,MAIN,311,SKY WHITE	1.01
CW311SA1-321	ASSY,FRAME,MAIN,311,TITANIUM HG	1.12
CW311SA2-211	ASSY, LEVER ARM, 311,SKY WHITE	2.01
CW311SA2-311	ASSY, LEVER ARM, 311,STONE HG	2.11
CW311SA2-321	ASSY, LEVER ARM, 311,TITANIUM HG	2.12
CW311SA3-211	ASSY,PIVOT JOINT,SKY WHITE	3.01
CW311SA3-321	ASSY,PIVOT JOINT,TITANIUM HG	3.12
CW31756-101	LABEL, PRECOR USA ICARIAN LINE	4
CW10043-134	BUSHING, BRONZE, 1" ID X 1 1/4" OD	5
CW12406-101	PILLOW BLOCK, BEARING, 2 BOLT	6
CW11311-102	ENDCAP, REC TUBE, 2X4, BLK PLASTIC	7
CW11311-103	ENDCAP, REC TUBE, 2X2, BLK PLASTIC	8
CWGR4607-000	GRIP, RUBBER, 1.00" OD HANDLE, 7.00	11
CWAC218-901	HANDLE END CAP W/SET SCREWS, DIA 1"	12
CW35898-101	CUT PIECE, CREPE, 1/4 THICK, 24.06	14
CWCP1053-102	CUT PIECE, UHMW, TUBE, 2 OD X 1 1/2	16
CW33592-101	ASSY, ABS BLACK, 1/4 X 1 3/4 X 6 1/	17
CWPD1105B-101	PAD,9X17,4HOLES,W/BP,BLACK	18.01
CWPF3442-742	TUBE,STEEL,RND DOM,CLR ZNC	19
CWCP1033-102	CUT PIECE, CREPE, 3/8 THICK, 4.00 X	20
CWSA1108-741	ASSY,WEIGHT,HOLDER,1.5 X 13.5,CLEAR	20
CWHCYN050-100	SCREW,HEX HEAD,BLK XYLAN,1/2-13 X 1	21
CWHCYN050-300	SCREW, HEX HEAD, BLK XYLAN, 1/2-13	22
CWKAYN050-031	LOCKNUT, NYLON INSERT, HALF, UNC, 1	23
CWTAYN031-325	SCREW, BUTTON HEAD, BLK XYLAN, 5/16	24
CWCAYN038-100	SCREW, SOCKET HEAD, BLK XYLAN, 3/8	25
CWWBKN031-007	WASHER, FLAT, TYPE A, SAE, 5/16 ID	26
CWWBKN038-007	WASHER, FLAT, TYPE A, SAE, 3/8 ID	27
CWWALYN031-008	WASHER, SPLIT, 5/16 ID, BL	28
CWWALYN038-009	WASHER, SPLIT, 3/8 ID, BLK XYLAN	29
CWWALYN050-013	WASHER, SPLIT, 1/2 ID, BLK XYLAN	30
CWAC1178-101	FLOOR PROTECTOR, RUBBER, 2.563 X 6.	501
CWAC1231-101	FLOOR PROTECTOR, RUBBER, 5.563 X 4.	502